

QUESTIONNAIRE

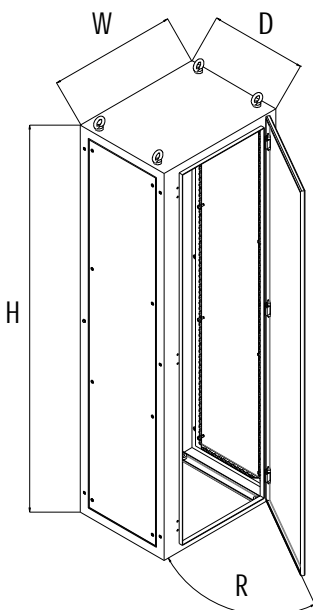
on custome-made design of crane thyristor drive

CONTACTS AND PERSONS

Date		Contact person	
Company name		Position	
Legal address		Phone number	
		Mobile phone number	
		E-mail	

CRANE DETAILS

Crane location (dept., workshop)		Main supply voltage (V)	
Crane ID or s/n		Control circuits voltage (V)	<input type="checkbox"/> 24V DC <input type="checkbox"/> 220V AC <input type="checkbox"/> _____
Type of crane	<input type="checkbox"/> industrial crane <input type="checkbox"/> grab crane <input type="checkbox"/> ship-to-shore crane <input type="checkbox"/> laddle crane <input type="checkbox"/> _____	Operating temperature (°C)	From _____ °C till _____ °C
Lifting capacity, t		Environmental conditions	<input type="checkbox"/> Open air <input type="checkbox"/> Cold workshop <input type="checkbox"/> Warm workshop <input type="checkbox"/> _____
Crane span (m)		Type of dust	<input type="checkbox"/> Conductive dust <input type="checkbox"/> Dielectric dust
Hoisting height (m)		Crane functions	
Equipment location	<input type="checkbox"/> E-room <input type="checkbox"/> Cabinets <input type="checkbox"/> Girder indoor		



SPECIAL REQUIREMENTS

The image of a cabinet is given for reference.
The standard sizes of cabinets are available
on a site <http://dvesta.com/en/dimensions>

Sign

CRANE DRIVE		<input type="checkbox"/> Hoist	<input type="checkbox"/> Aux. hoist	<input type="checkbox"/> 4-rope grab hoist	<input type="checkbox"/> Bridge	<input type="checkbox"/> Trolley	<input type="checkbox"/> _____
Design class		Duty factor(%)		Type of command control device			
Type of rotor resistance	<input type="checkbox"/> Active resistance	<input type="checkbox"/> Reactance		Axis speed (m/s)	rated	minimal	
Qty of rotor speed steps	usually from 1 to 5			Limit switches (pcs)	end-switches	pre-limit switches	
Regulation depth	<input type="checkbox"/> 1:1 (DVESLY-P0)	<input type="checkbox"/> Up to 1:3 (DVESLY-3M, 4M, 5M)		Dimensions restriction (mm)	Height (H)	Width (W)	
	<input type="checkbox"/> Up to 1:8 (DVESLY-3M-I, 7M)	<input type="checkbox"/> Up to 1:10 (DVESLY-7M-I)			Depth(D)	Door space (R)	
Existing drive type or model				Type of cabinets	<input type="checkbox"/> Single-side service	<input type="checkbox"/> Double-side service	
Motor data or ID				Options	<input type="checkbox"/> Heating	<input type="checkbox"/> Ventilation	
Power (kW)		Motor qty (pcs)			<input type="checkbox"/> Cooling	<input type="checkbox"/> Light in cabinet	
Rotor speed (rpm)		Rotor voltage (V)		Type of DVESLY	if known		
Stator current (A)		Rotor current (A)		Comments			
Type of brakes and qty							

CRANE DRIVE		<input type="checkbox"/> Hoist	<input type="checkbox"/> Aux. hoist	<input type="checkbox"/> 4-rope grab hoist	<input type="checkbox"/> Bridge	<input type="checkbox"/> Trolley	<input type="checkbox"/> _____
Design class		Duty factor(%)		Type of command control device			
Type of rotor resistance	<input type="checkbox"/> Active resistance	<input type="checkbox"/> Reactance		Axis speed (m/s)	rated	minimal	
Qty of rotor speed steps	usually from 1 to 5			Limit switches (pcs)	end-switches	pre-limit switches	
Regulation depth	<input type="checkbox"/> 1:1 (DVESLY-P0)	<input type="checkbox"/> Up to 1:3 (DVESLY-3M, 4M, 5M)		Dimensions restriction (mm)	Height (H)	Width (W)	
	<input type="checkbox"/> Up to 1:8 (DVESLY-3M-I, 7M)	<input type="checkbox"/> Up to 1:10 (DVESLY-7M-I)			Depth(D)	Door space (R)	
Existing drive type or model				Type of cabinets	<input type="checkbox"/> Single-side service	<input type="checkbox"/> Double-side service	
Motor data or ID				Options	<input type="checkbox"/> Heating	<input type="checkbox"/> Ventilation	
Power (kW)		Motor qty (pcs)			<input type="checkbox"/> Cooling	<input type="checkbox"/> Light in cabinet	
Rotor speed (rpm)		Rotor voltage (V)		Type of DVESLY	if known		
Stator current (A)		Rotor current (A)		Comments			
Type of brakes and qty							

CRANE DRIVE		<input type="checkbox"/> Hoist	<input type="checkbox"/> Aux. hoist	<input type="checkbox"/> 4-rope grab hoist	<input type="checkbox"/> Bridge	<input type="checkbox"/> Trolley	<input type="checkbox"/> _____
Design class		Duty factor(%)		Type of command control device			
Type of rotor resistance	<input type="checkbox"/> Active resistance	<input type="checkbox"/> Reactance		Axis speed (m/s)	rated	minimal	
Qty of rotor speed steps	usually from 1 to 5			Limit switches (pcs)	end-switches	pre-limit switches	
Regulation depth	<input type="checkbox"/> 1:1 (DVESLY-P0)	<input type="checkbox"/> Up to 1:3 (DVESLY-3M, 4M, 5M)		Dimensions restriction (mm)	Height (H)	Width (W)	
	<input type="checkbox"/> Up to 1:8 (DVESLY-3M-I, 7M)	<input type="checkbox"/> Up to 1:10 (DVESLY-7M-I)			Depth(D)	Door space (R)	
Existing drive type or model				Type of cabinets	<input type="checkbox"/> Single-side service	<input type="checkbox"/> Double-side service	
Motor data or ID				Options	<input type="checkbox"/> Heating	<input type="checkbox"/> Ventilation	
Power (kW)		Motor qty (pcs)			<input type="checkbox"/> Cooling	<input type="checkbox"/> Light in cabinet	
Rotor speed (rpm)		Rotor voltage (V)		Type of DVESLY	if known		
Stator current (A)		Rotor current (A)		Comments			
Type of brakes and qty							

CRANE DRIVE			<input type="checkbox"/> Hoist	<input type="checkbox"/> Aux. hoist	<input type="checkbox"/> 4-rope grab hoist	<input type="checkbox"/> Bridge	<input type="checkbox"/> Trolley	<input type="checkbox"/> _____
Design class		Duty factor(%)						
Type of rotor resistance	<input type="checkbox"/> Active resistance	<input type="checkbox"/> Reactance						
Qty of rotor speed steps	usually from 1 to 5							
Regulation depth	<input type="checkbox"/> 1:1 (DVESLY-P0)	<input type="checkbox"/> Up to 1:3 (DVESLY-3M, 4M, 5M)						
	<input type="checkbox"/> Up to 1:8 (DVESLY-3M-I, 7M)	<input type="checkbox"/> Up to 1:10 (DVESLY-7M-I)						
Existing drive type or model								
Motor data or ID								
Power (kW)		Motor qty (pcs)						
Rotor speed (rpm)		Rotor voltage (V)						
Stator current (A)		Rotor current (A)						
Type of brakes and qty								
			Type of command control device					
			Axis speed (m/s)	rated	minimal			
			Limit switches (pcs)	end-switches	pre-limit switches			
			Dimensions restriction (mm)	Height (H)	Width (W)			
				Depth(D)	Door space (R)			
			Type of cabinets	<input type="checkbox"/> Single-side service	<input type="checkbox"/> Double-side service			
			Options	<input type="checkbox"/> Heating	<input type="checkbox"/> Ventilation			
				<input type="checkbox"/> Cooling	<input type="checkbox"/> Light in cabinet			
			Type of DVESLY	if known				
			Comments					

CRANE DRIVE			<input type="checkbox"/> Hoist	<input type="checkbox"/> Aux. hoist	<input type="checkbox"/> 4-rope grab hoist	<input type="checkbox"/> Bridge	<input type="checkbox"/> Trolley	<input type="checkbox"/> _____
Design class		Duty factor(%)						
Type of rotor resistance	<input type="checkbox"/> Active resistance	<input type="checkbox"/> Reactance						
Qty of rotor speed steps	usually from 1 to 5							
Regulation depth	<input type="checkbox"/> 1:1 (DVESLY-P0)	<input type="checkbox"/> Up to 1:3 (DVESLY-3M, 4M, 5M)						
	<input type="checkbox"/> Up to 1:8 (DVESLY-3M-I, 7M)	<input type="checkbox"/> Up to 1:10 (DVESLY-7M-I)						
Existing drive type or model								
Motor data or ID								
Power (kW)		Motor qty (pcs)						
Rotor speed (rpm)		Rotor voltage (V)						
Stator current (A)		Rotor current (A)						
Type of brakes and qty								
			Type of command control device					
			Axis speed (m/s)	rated	minimal			
			Limit switches (pcs)	end-switches	pre-limit switches			
			Dimensions restriction (mm)	Height (H)	Width (W)			
				Depth(D)	Door space (R)			
			Type of cabinets	<input type="checkbox"/> Single-side service	<input type="checkbox"/> Double-side service			
			Options	<input type="checkbox"/> Heating	<input type="checkbox"/> Ventilation			
				<input type="checkbox"/> Cooling	<input type="checkbox"/> Light in cabinet			
			Type of DVESLY	if known				
			Comments					

SPARE PARTS REQUIREMENTS	

Standard spare parts list contains:

- 2 pcs of each type of thyristors,
- thyristor control boards,
- power supply board,
- fuses.

Spare parts list can be extended with:

- PLC Mitsubishi with DVESLY %mware,
- Notebook with Mitsubishi software,
- additional set of boards, etc.

Sign